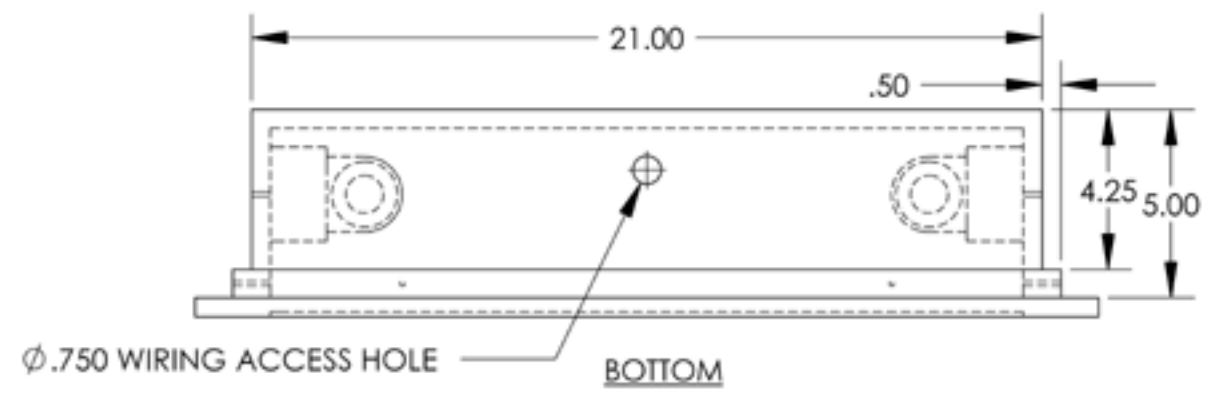
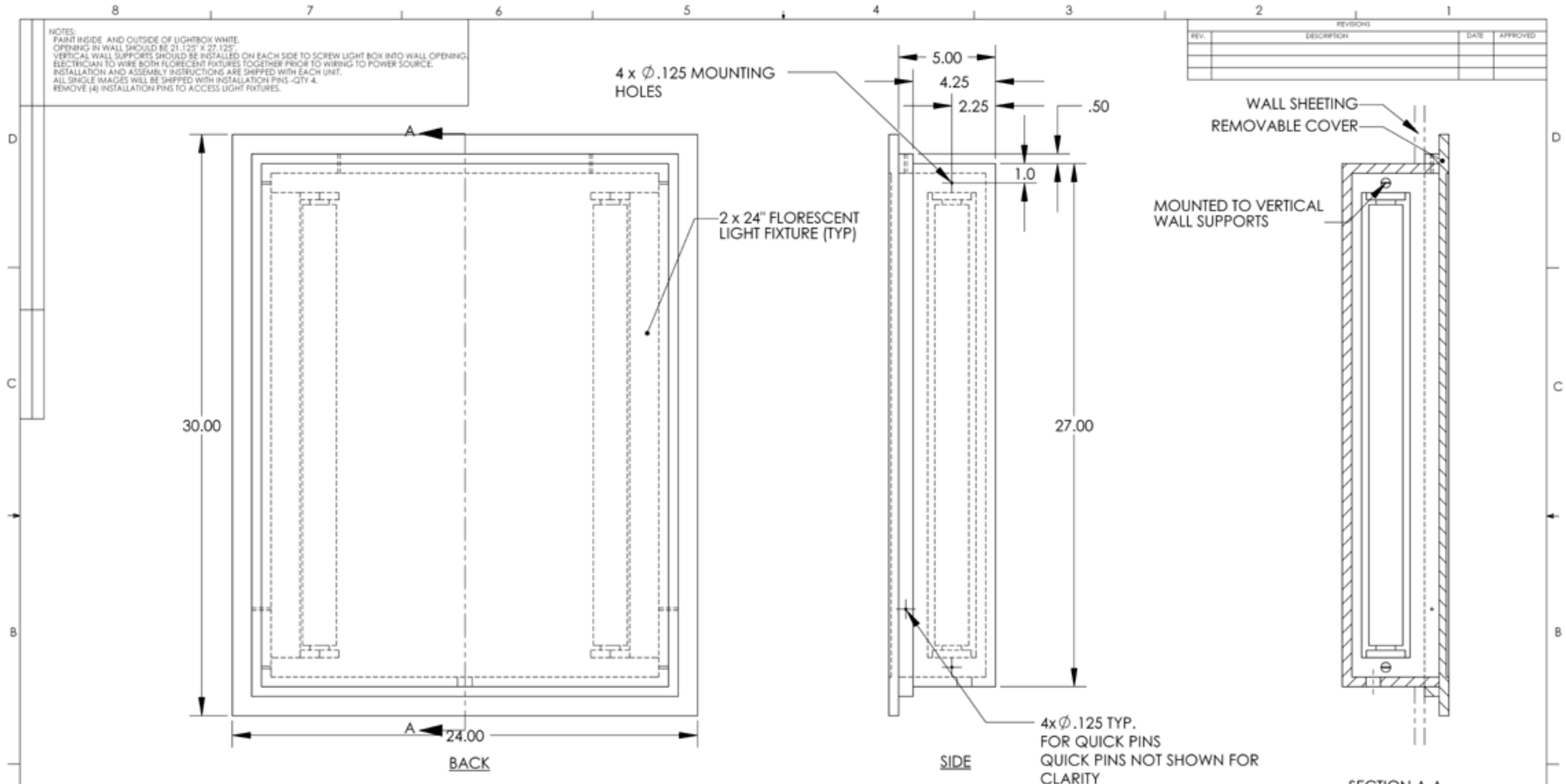


NOTES:
 PAINT INSIDE AND OUTSIDE OF LIGHTBOX WHITE.
 OPENING IN WALL SHOULD BE 21.125" X 27.125".
 VERTICAL WALL SUPPORTS SHOULD BE INSTALLED ON EACH SIDE TO SCREW LIGHT BOX INTO WALL OPENING.
 ELECTRICIAN TO WIRE BOTH FLORESCENT FIXTURES TOGETHER PRIOR TO WIRING TO POWER SOURCE.
 INSTALLATION AND ASSEMBLY INSTRUCTIONS ARE SHIPPED WITH EACH UNIT.
 ALL SINGLE IMAGES WILL BE SHIPPED WITH INSTALLATION PINS -QTY 4.
 REMOVE (4) INSTALLATION PINS TO ACCESS LIGHT FIXTURES.

REVISIONS			
REV.	DESCRIPTION	DATE	APPROVED



ITEM NO.	PART OR IDENTIFYING NO.	DESCRIPTION OR DESCRIPTION	MATERIAL SPECIFICATION	QTY REQD
PARTS LIST				
UNLESS OTHERWISE SPECIFIED DIMENSIONS ARE IN INCHES		CAD GENERATED DRAWING. DO NOT MANUALLY UPDATE		
TOLERANCES ARE:		APPROVALS		
FRACTIONS	DECIMALS	ANGLES	DATE	
±	.XX ± .XX	± .1	DRAWN K Schwab 10/5/02	
	.XXX ± .XXX		CHECKED	
MATERIAL		RESP'NG		
0.5" OSB		MFG ENG		
FINISH		QUAL ENG		
See note		SCALE		
APPLICATION		CAD FILE		
DO NOT SCALE DRAWING		SHEET 1 OF 1		

BACKLIGHT IMAGES™

LIGHT BOX - IN-WALL INSTALLATION
 NO PICTURE FRAME

SIZE B
 DWG. NO.
 REV.