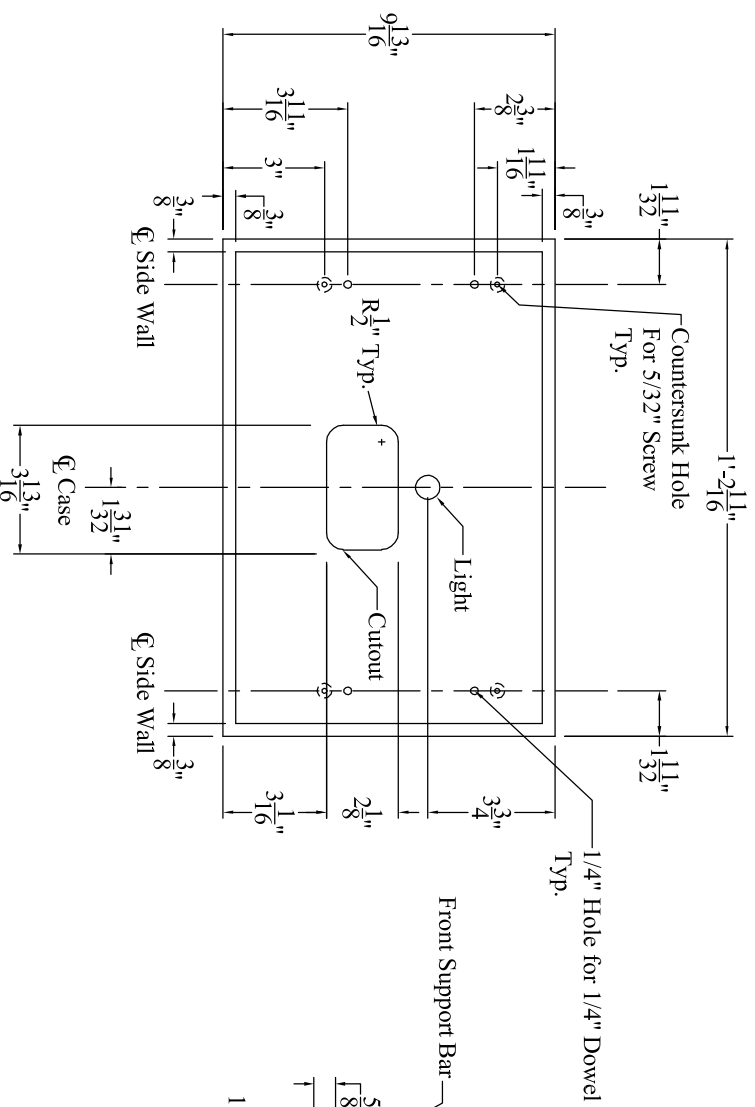
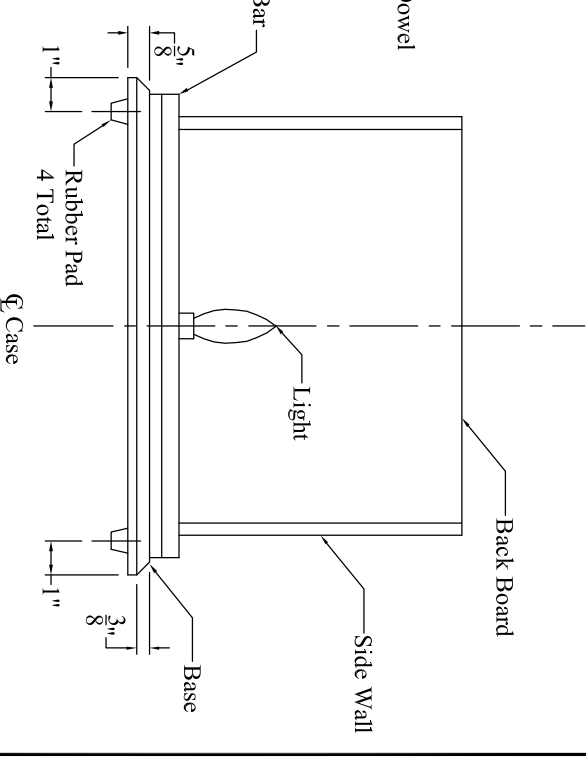


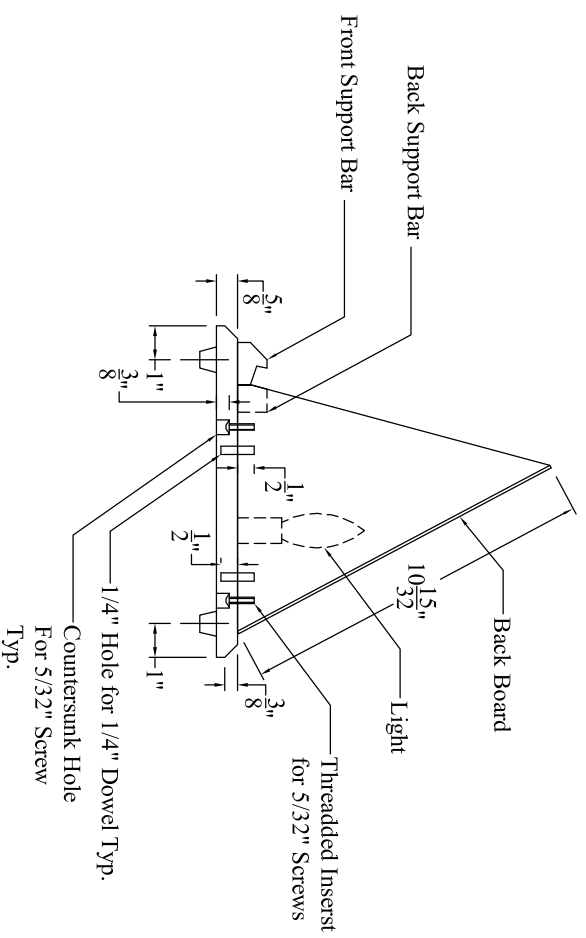
**Plan View**



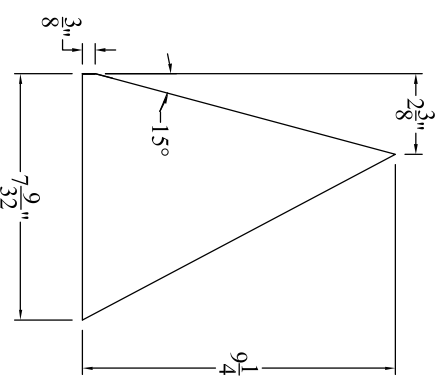
**Base Details**



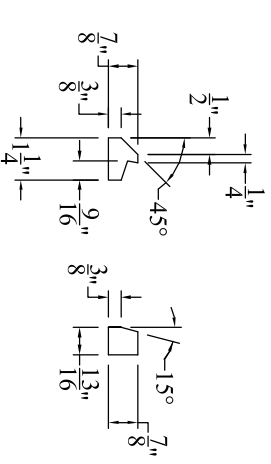
**Elevation View**



**Section A-A**



**Side Wall Details**



**Support Bar Details**

**REVISIONS**

NO.	DATE	BY	DESCRIPTION	APP'D	NO.	DATE	BY	DESCRIPTION	APP'D

**B**acklight  
Images, Inc.

**PERSONAL WORKBOOK**

DESIGNER: <b>WIT</b>	DATE: <b>10/15/18</b>
DRAWN: <b>WIT</b>	SCALE: <b>1:1</b>
CHECKED: <b>WIT</b>	DATE: <b>10/15/18</b>
APPROVED: <b>WIT</b>	DATE: <b>10/15/18</b>
DATE: <b>10/15/18</b>	PROJECT: <b>Backlight Image Light Case</b>
DATE: <b>10/15/18</b>	PROJECT: <b>Landscape Orientation</b>

Backlight Image Light Case  
Landscape Orientation

**WORK ORDER NO.**

--

**COMPLETION NO.**

--